



Electrolux
PROFESSIONAL

**Modular Cooking Range Line
thermaline 80 - 1200 mm Open
base, 1 Side (H2) - H=550**

ITEM # _____

MODEL # _____

NAME # _____

SIS # _____

AIA # _____



588218 (MA1ADAKOOO)

Open Base, one-side
operated - H2

Short Form Specification

Item No. _____

1200 mm wide open base compartment to store pots, pans, sheet pans, etc. with hygienic design and round edges. Unit constructed according to DIN 18860_2 with 70 mm recessed plinth. Internal frame for heavy duty sturdiness in stainless steel.

Flat surface construction, easily cleanable.

IPX5 water resistant certification.

Configuration: One-side operated freestanding base, hygienic class H2.

Main Features

- Open base compartment for storage of pots, pans, sheet pans, etc.
- IPX5 water resistance certification.
- All major components may be easily accessed from the front.
- THERMODUL connection system creates a seamless work top when units are connected to each other thus avoiding soil penetrating vital components and facilitating the removal of units in case of replacement or service.
- Unit constructed according to DIN 18860_2 with 70 mm recessed plinth.

Construction

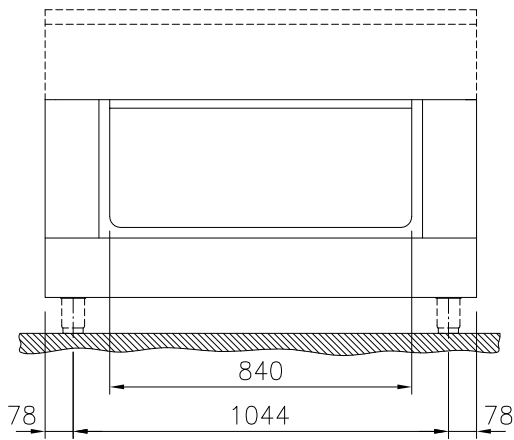
- Hygienic design of the open base compartment with large round edges.
- 2 mm top in 1.4301 (AISI 304).
- Flat surface construction with minimal hidden areas to easily clean all surfaces
- Internal frame for heavy duty sturdiness in stainless steel.

APPROVAL: _____

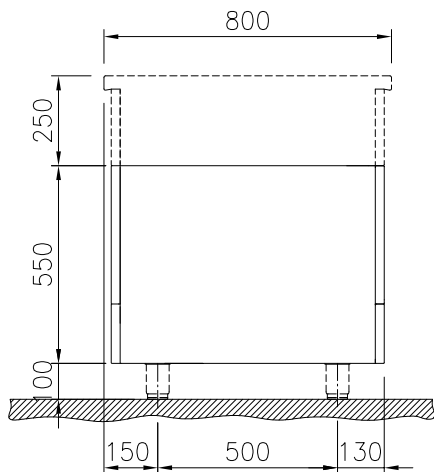


Experience the Excellence
www.electroluxprofessional.com

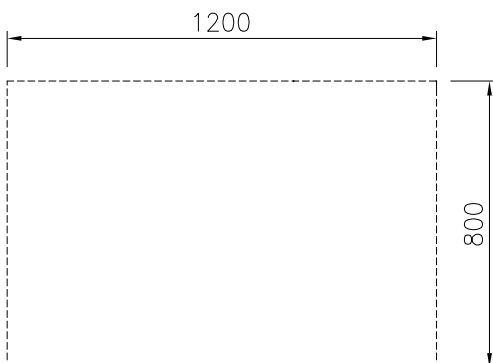
Front



Side



Top


Key Information:

External dimensions, Width:	
588218 (MA1ADAKOOO)	1200 mm
External dimensions, Depth:	800 mm
External dimensions, Height:	550 mm
Cupboard Cavity Dimensions (width):	840 mm
Cupboard Cavity Dimensions (height):	330 mm
Cupboard Cavity Dimensions (depth):	740 mm
Net weight:	26 kg

Optional Accessories

- Stainless steel side panel, 800x800mm, freestanding PNC 912508
 - Stainless steel front kicking strip, 1200mm width PNC 912602
 - Stainless steel side kicking strips left and right, freestanding, 800mm width PNC 912619
 - Stainless steel side kicking strips left and right, against the wall, 800mm width PNC 912622
 - Stainless steel side kicking strips left and right, back-to-back, 1610mm width PNC 912625
 - Stainless steel plinth, against wall, 1200mm width PNC 912810
 - Stainless steel plinth, freestanding, 1200mm width PNC 912829
 - Stainless steel panel, 800x800mm, against wall, left side PNC 913094
 - Stainless steel panel, 800x800mm, flush-fitting, against wall, right side PNC 913098
 - Back panel, 1200x450mm, for bases one-side operated PNC 913186
 - Stainless steel side panel, left, h=800 PNC 913216
 - Stainless steel side panel, right, h=800 PNC 913217
 - Perforated shelf for warming cabinets and cupboard bases (one-side operated TL80-85-90 and two-side operated for TL80) PNC 913239
 - Side reinforced panel only in combination with side shelf, for freestanding units PNC 913257
 - Side reinforced panel only in combination with side shelf for against the wall installations, left PNC 913264
 - Side reinforced panel only in combination with side shelf, for against the wall installations, right PNC 913266
 - Side reinforced panel only in combination with side shelf, for back-to-back installations, left PNC 913273
 - Side reinforced panel only in combination with side shelf, for back-to-back installation, right PNC 913274
 - Shelf fixation for TL80-85-90 one-side operated, TL80 two-side operated PNC 913279
 - Stainless steel dividing panel, 800x800mm, (it should only be used between Electrolux Professional thermaline Modular 80 and thermaline C80) PNC 913669
- Stainless steel side panel, 800x800mm, flush-fitting (it should only be used against the wall, against a niche and in between Electrolux Professional thermaline and ProThermetic appliances and external appliances - provided that these have at least the same dimensions) PNC 913685